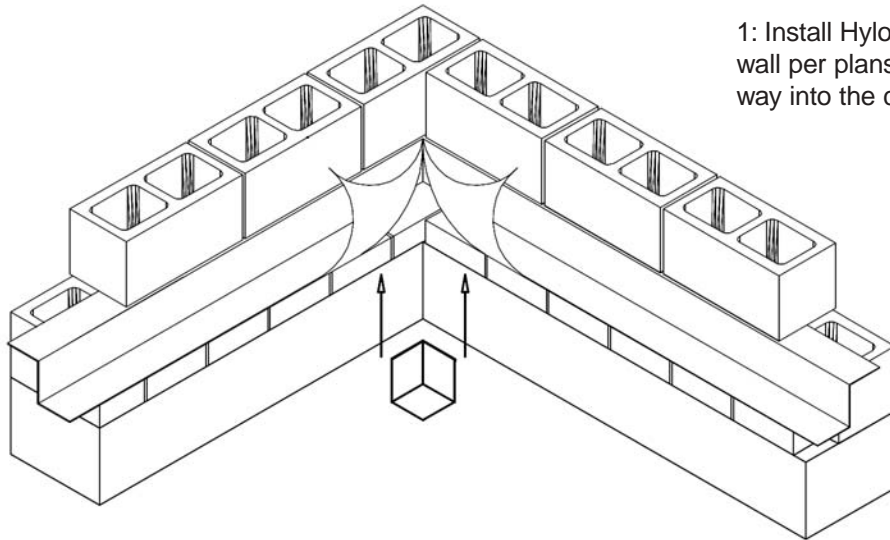
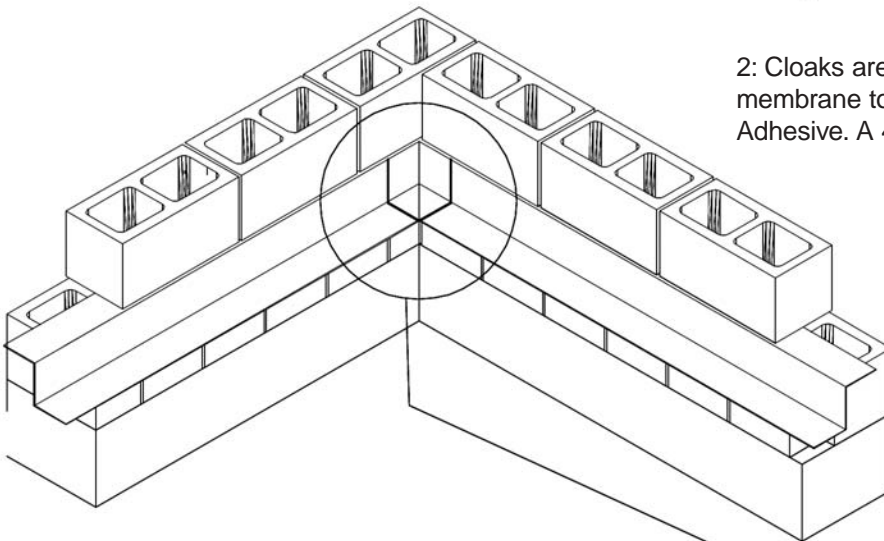


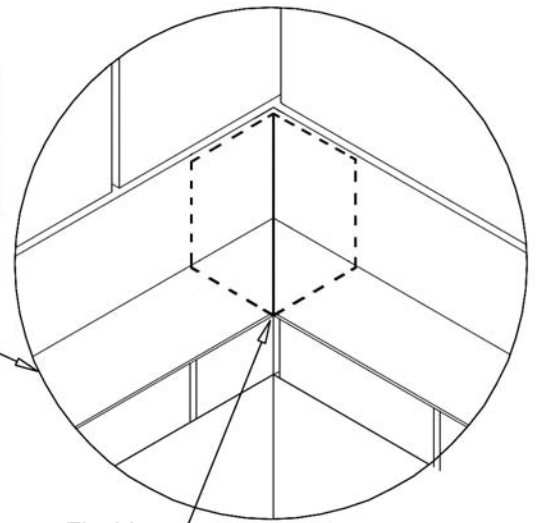
CLOAK INSTALLATION: INSIDE CORNER



1: Install Hyload Flashing Membrane in the block back-up wall per plans and specifications. Lay membrane all the way into the corner.



2: Cloaks are installed when the bricks are laid. Adhere membrane to Cloak using Hyload Flashing Membrane Adhesive. A 4" overlap is required.



Flashing
Membrane
Adhesive